



SOUND05, BRI, BRI/EM, PES05, GAV, CS05

Bases & accessories



SOUND 05

Base with internal sounder.

In addition with a S05 base (not supplied together), allows to connect directly to the detector a sounder that will be directly activated by the open collector output of the detector.

Works for addressable and conventional systems.

Weight: 300 g	Power supply: 16 to 28 Vdc Nominal: 24V
Dimension: 122(Ø) x 46(h) mm	Max Consumption < 0,15mA standby; 9mA in alarm Max Power: 98 dB
Material: ABS white	Operating temperature: From -30°C à +70°C IP rating: IP21C



BRI/EM

Universal base with glands hole for 05 range.

BRI

Waterproof universal base with glands for 05 range.

Weight: 300 g	IP rating: IP47 for BRI/EM IP rating: IP65 for BRI
Dimension: 122(Ø) x 46(h)mm	Material: ABS white

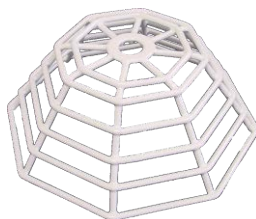


PES05

Flush mounting piece for base (base not included).

Allows to flush mount a 05 range detector.

Dimension: 122(Ø) x 46(h)mm	Material: ABS white.
------------------------------------	-----------------------------



GAV

Protection grid for detectors of 05 range.

Allows to protect detectors from vandalism.

Dimensions: 125(Ø) x 80 mm	Material: Stainless Iron
-----------------------------------	---------------------------------



CS05

Protection plate for S05 base.

Allows to cover the connectors of S05 base in case that no detector is connected into it.

Dimensions: 122(Ø) x 46 mm	Material: ABS white
-----------------------------------	----------------------------

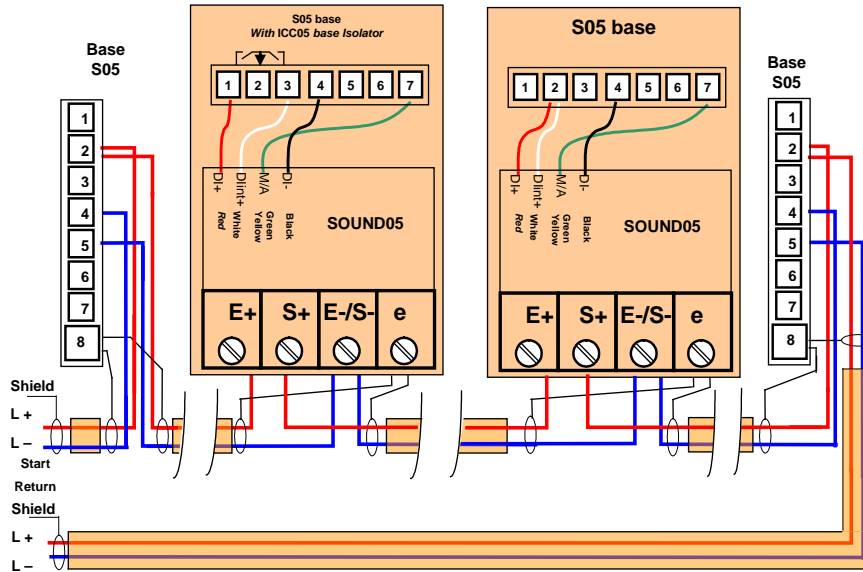


SOUND05, BRI, BRI/EM, PES05, GAV, CS05

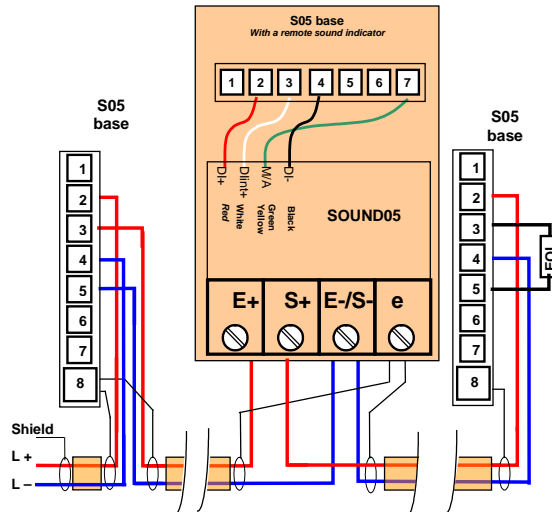
Bases & accessories

SOUND 05 CONNECTION DIAGRAM

Sound05 with S05 on addressable line



Sound05 with S05 on conventional line



REFERENCE

SOUND 05
BRI/EM
BRI
PES05
GAV
CS05

DESCRIPTION

Base with internal sounder 90dB @ 1m
Universal base with glands hole for 05 range
Waterproof universal base with glands for 05 range (IP65)
Flush mounting piece for base (base not included)
Protection grid for detectors of 05 range
Protection plate for S05 base

