

# AVSA.05/W & AVSA.05/R

Addressable high powered piezoelectric sounder for indoor use  
(white or red)

**AVSA.05 is an addressable sounder device** build to be driven by a fire detection system (FDS)

It is **allocated and identified by an address**; AVSA.05 is designed to be directly operational from a loop or line of a panel **managing the 05 range protocol**, it can be monitored and activated individually.

**Its round shape allows to be used on walls and ceilings.**

**Every device has an integrated loop isolator.**

The choice of colours (white and red) allows a good sobriety of installation on any surfaces.

AVSA.05 works with a piezoelectric cell that warrants a low loop or line consumption current. Its side hearings ensure an excellent sound broadcasting.

The addressable sounder AVSA is certified with the standards EN 54-3 and EN 54-17.

## Main characteristics



- Addressable independent device .
- Loop powered.
- 90 dB (+/- 3 dB) at 1 meter.
- 6 tones selectable.
- Integrated loop isolator.
- Red or white color.
- Lateral hearings
- Volume control.

## **Power supply specification**

Main supply voltage	15Vdc to 26Vdc
Standby consumption	600 $\mu$ A
Alarm consumption	0.6mA to 11mA (depending on tones)
Cable connection	Max 2,5mm <sup>2</sup>

## **Mechanical characteristics**

Unit weight	200 g
Unit dimensions (in mm)	Diam. 109mm Height. 84mm
Unit colour	White or red
Protection class	IP21C
Material	ABS V0

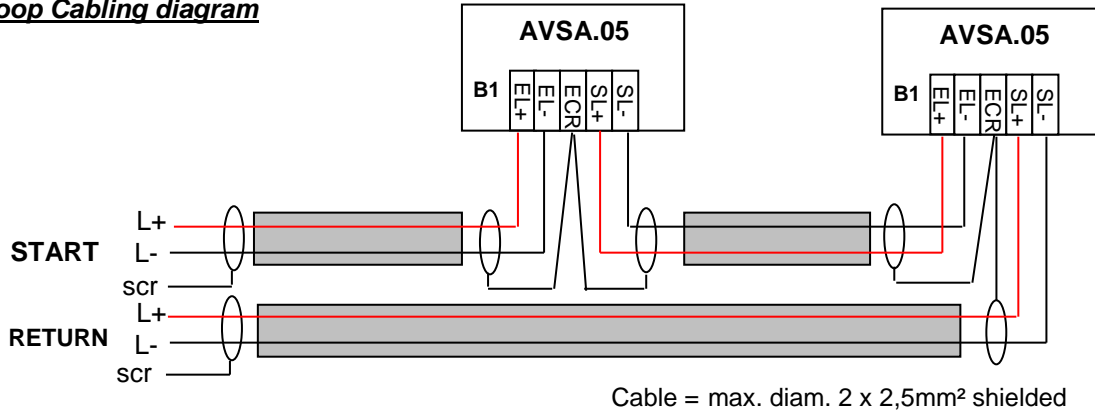
## **Climatic characteristics**

Operating temperature	0°C to +50°C
Operating relative humidity	90%
Storage temperature	-10°C to +50°C
Storage relative humidity	85%

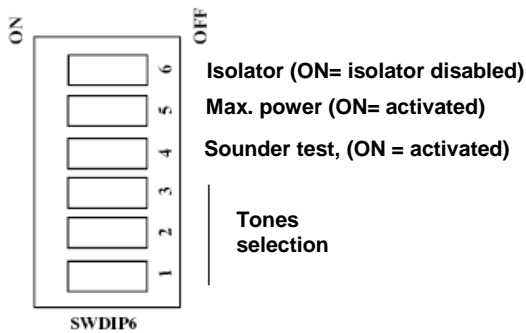
# AVSA.05/W & AVSA.05/R

Addressable high powered piezoelectric sounder for indoor use  
(white or red)

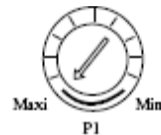
## Loop Cabling diagram



## Switches and tones selection



## Adjustment P1 Sounder strength setting



## Table for tones selection

Sound type and number	Switch position 1/2/3	Supply voltage 15Vcc to 26Vcc					
		Adjustment at minimum value			Adjustment at maximum value		
		Amp.	Watt	dB	Amp.	Watt	dB
N°1. Alternating tones 800/970Hz at 2Hz	off/off/off	2 to 4mA	0.03 to 0.1W	80dB +/- 3bD	4 to 7mA	0.05 to 0.2 W	96dB +/- 3bD
N°2. Sweeping 800/970Hz at 7Hz	On/off/off	2 to 4mA	0.03 to 0.1W	79dB +/- 3bD	6 to 10mA	0.09 to 0.26 W	96dB +/- 3bD
N°3. Sweep 1200/500Hz at 1Hz	Off/on/off	2 to 4mA	0.03 to 0.1W	80dB +/- 3bD	5 to 9mA	0.075 to 0.24 W	98dB +/- 3bD
N°4. Continuous at 970Hz	On/on/off	2 to 4mA	0.03 to 0.1W	81dB +/- 3bD	3 to 5mA	0.045 to 0.13 W	94dB +/- 3bD
N°5. Intermittent 660Hz for 6.5s on / 13s off	Off/off/on	1 to 2mA	0.015 to 0.05W	78dB +/- 3bD	3 to 4mA	0.045 to 0.1 W	97dB +/- 3bD
N°6. Continuous at 4KHz	On/off/on	4 to 7mA	0.06 to 0.2W	83dB +/- 3bD	6 to 11mA	0.09 to 0.3 W	91dB +/- 3bD

## REFERENCE

AVSA.05/W  
AVSA.05/R

## DESCRIPTION

Addressable high powered piezoelectric sounder for indoor use, white colour  
Addressable high powered piezoelectric sounder for indoor use, red colour

