



TA12

Interactive heat detector with isolator

- Standards EN54-5, EN54-17, EN54-18
- Security addressing
- CE0333 certified according to CPD

TA12 temperature heat detector analyzes the ambient temperature by the means of thermistor type CTN.

TA12 is able to detect elevation of temperature corresponding to A1S, A2S, BS, A1R, A2R, and BR class according to EN54-5 standard.

The various levels of temperature are chosen while programming:

- Static temperature detector:

- TA05-A1S: static $T^{\circ}=62^{\circ}\text{C}+5/-3^{\circ}\text{C}$
- TA05-A2S: static $T^{\circ}=68^{\circ}\text{C}+5/-3^{\circ}\text{C}$
- TA05-BS: static $T^{\circ}=75^{\circ}\text{C}+5/-3^{\circ}\text{C}$

- Static + rate of rise temperature detector:

- TA05-A1R: static $T^{\circ}=62^{\circ}\text{C}+5/-3^{\circ}\text{C}$
- TA05-A2R: static $T^{\circ}=68^{\circ}\text{C}+5/-3^{\circ}\text{C}$
- TA05-BR: static $T^{\circ}=75^{\circ}\text{C}+5/-3^{\circ}\text{C}$

} $\Delta T^{\circ} > 3^{\circ}\text{C}/\text{min}$
Thermal function is prevalent on rate of rise function.

TA12 includes a developed technology (microprocessors, smd components) which means precision and high reliability. A specific head detection fixed by a single ceiling base.

TA12 is dedicated to analogue fire detection panels.

Temperature heat detectors are designed to be installed under flat ceiling with heights ranging between 2,5 m and 6 m (3,5m for A1S, A2S and BS class) in healthy and more or less ventilated buildings.

The maximum supervised surface is 35m² by detector; however it is preferable to refer to the local rules of installation recommended in particular when the characteristics of the installation differ from those stated above.

TA12 has an isolator circuit embedded enabling to protect the loop lost in case of short circuit and optionally can receive a relay module R05. TA12 is conform with the EN54-17 for the short circuit isolator and EN54-18 for the relay circuit.



Main characteristics

- Static / Elevation of T°
- 1 remote alarm indicator output
- Lockable
- Standard EN54-5 for heat detection
- Cable section max 2,5mm²
- 6 levels sensitivity setting (62°C to 75°C)
- Embedded circuit short-circuit isolator (EN54-17)

Power supply specification

Main supply voltage	12Vdc to 28 Vdc
Nominal main supply voltage	24 Vdc
Quiescent current (24 Vdc)	140µA with base isolator closed 500µA with base isolator open
Alarm current (24 Vdc)	5mA ± 1mA (15mA if equipped of optional relay board)
Fault current (24 Vdc)	140µA
Remote alarm indicator output	Individual command: 5mA ± 1mA

Mechanical characteristics

Unit weight	130g
Unit dimensions (in mm)	H:55 D:104
Unit row material	ABS
Unit colour	White
IP rating	IP32
Mounting mode	Base
Fixing	- distance between centres: 50mm to 60mm - under ceiling: 2 screws Ø 4

Climatic characteristics

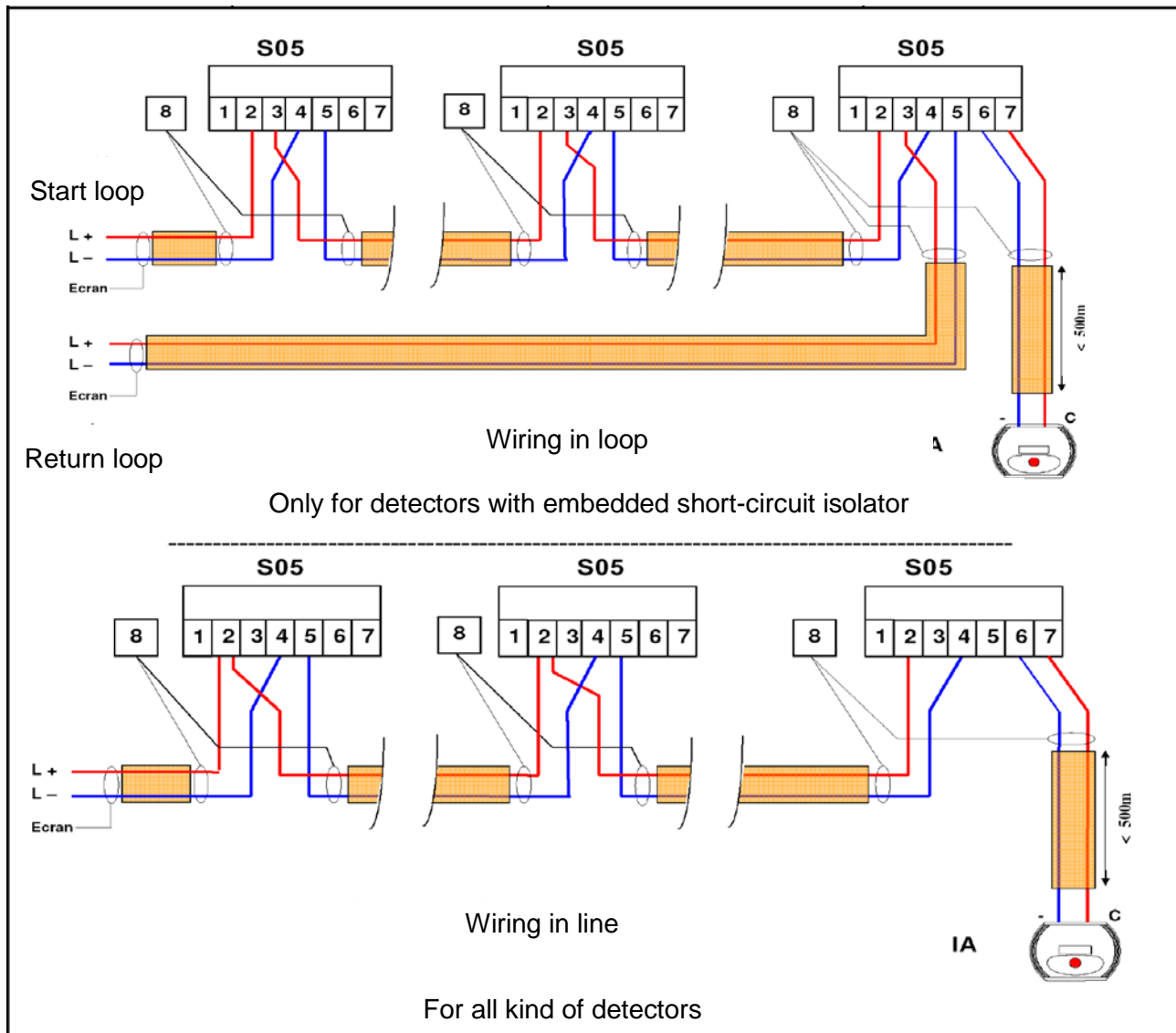
Operating temperature	-30°C to +50°C (A1R, A2R, A1S, A2S) / -30°C to 65°C (BR, BS)
Storage temperature	+10°C to +50°C
Operating relative humidity	≤ 93%
Storage relative humidity	≤ 85%



TA12

Interactive heat detector with isolator

CONNECTION



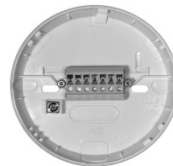
PROFILE VIEW



TOP VIEW



BASE S05



IND05



REFERENCE

TA12

S12

ACCESSORIES

IND05

IAA

SOUND05

BRI

BRI/EM

DESCRIPTION

Interactive heat temperature detector

Base detector

Remote alarm indicator

Remote alarm indicator, for more than one detector

Base with internal sounder 95dB

Universal base with gland holes for 05 detectors range

Waterproof universal base with gland holes for 05 detectors range

