



# REP4MO

## Repetition board 4 monitored outputs

REP4MO is a repetition board which allows to control up to 4 lines monitored by means of corresponding inputs of ON / OFF type.

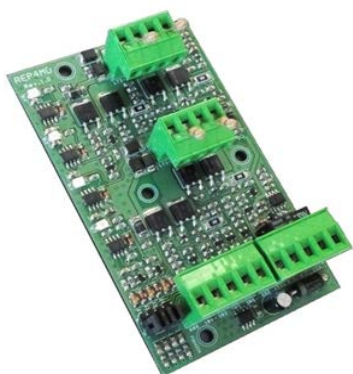
The card requires an external power supply to provide the necessary power to each output without loading the lines of command.

The module has 4 separate inputs for the command of each output that can be individually configured to accept a negative control (open-collector) or a positive command (10V..30V).

The outputs are with polarity inversion balanced resistive, electronically protected against overload and short circuit.

The card is also equipped with a general fault relay, potential-free and with both contacts (NO / NC) available.

A green LED indicates the condition of normality while four yellow LEDs, associated respectively with 4 outputs, are used to signal a failure for unbalanced line (open or shorted).



### Main features

- 4 monitored outputs
- 4 separate inputs
- Positive or negative command
- Outputs protected against overload
- General fault relay
- 5 signalisation LEDs
- CE Conform

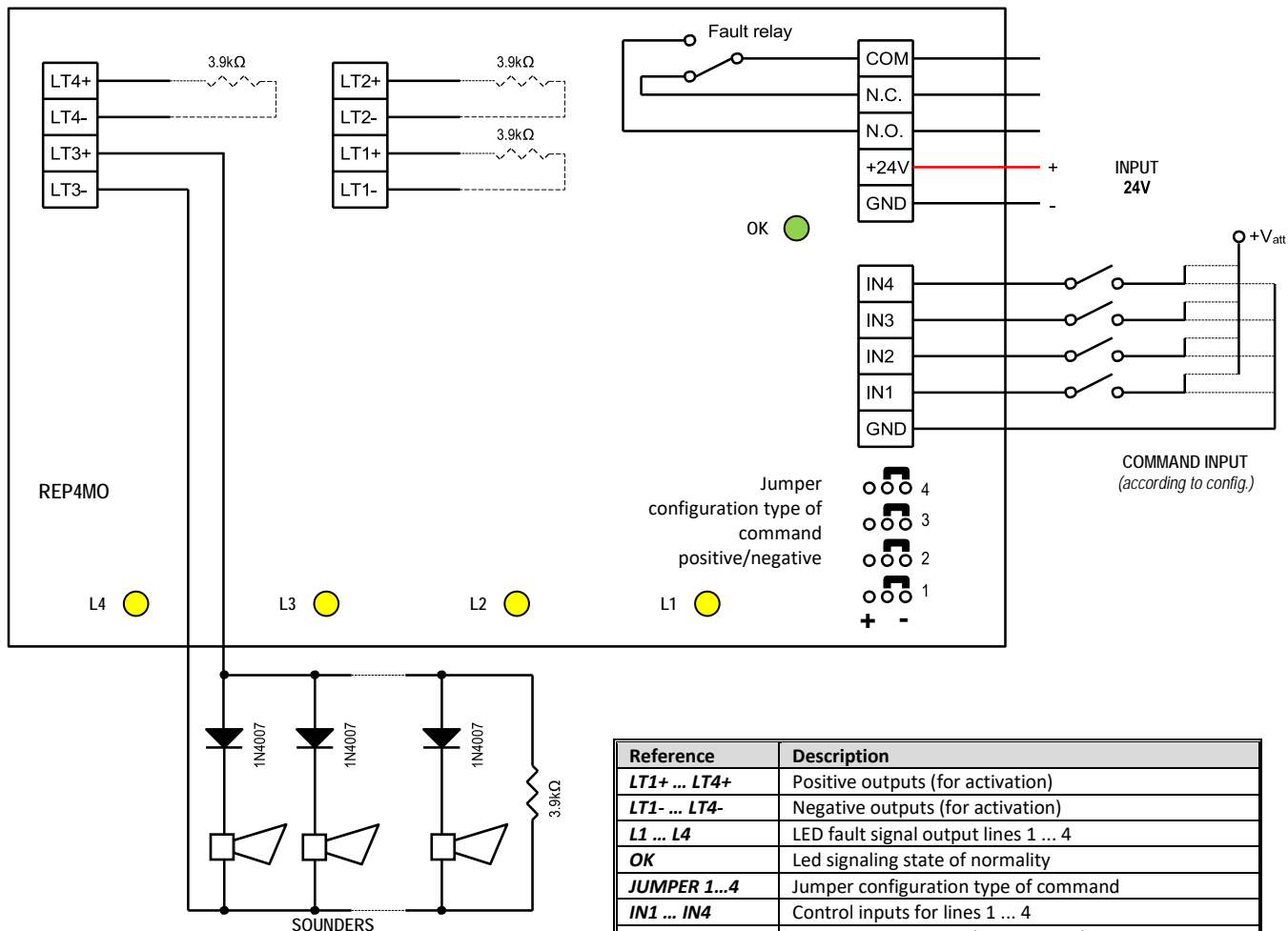
<b>Electrical characteristics</b>	
Working voltage	From 21Vdc to 30Vdc
Consumption in standby	<20mA
Number of outputs	4
<b>Operating characteristics</b>	
Outputs monitoring	Polarity inversion balanced resistive 3,9kΩ ½W (Unused outputs must still be completed with the EOL resistor)
Voltage / current nominal outputs	24Vdc / 500mA
Output protections	Electronically protected against overload and short circuit
Number of control inputs	4
Inputs type	Configurable for negative control (OC) / positive control (10Vdc...30Vdc)
Status LED	A green LED for indicating normality / 4 yellow LEDs for unbalanced line
General fault relay	Changeover contact, potential free, fail safe
<b>Environmental characteristics</b>	
Working temperature	+5°C < T° < +40°C
Storage temperature	-10°C < T° < +50°C
Operating relative humidity	RH < 93%
<b>Mechanical characteristics</b>	
Size	11,2x6,7x2,5 mm (W x D x H)
Weight	80 g



# REP4MO

## Repetition board 4 monitored outputs

### Typical connection



Reference	Description
<b>LT1+ ... LT4+</b>	Positive outputs (for activation)
<b>LT1- ... LT4-</b>	Negative outputs (for activation)
<b>L1 ... L4</b>	LED fault signal output lines 1 ... 4
<b>OK</b>	Led signaling state of normality
<b>JUMPER 1...4</b>	Jumper configuration type of command
<b>IN1 ... IN4</b>	Control inputs for lines 1 ... 4
<b>+24V</b>	Positive input external power supply
<b>GND</b>	Negative power supply
<b>COM</b>	Common General Fault relay
<b>N.C.</b>	NC contact General Fault relay
<b>N.O.</b>	NO contact General Fault relay

#### REFERENCE

#### DESCRIPTION

REP4MO

Repetition board 4 monitored outputs

