



Interactive optical smoke detector

- *Standard EN54-7 Ed2000*
- *Security addressing*
- *CE certified according to CPD*

The Optical smoke detector analyzes an atmosphere by reflection of a light on the particles of smoke according to **TYNDALL effect**. It detects especially the **cold and visible smoke particles** (0,3µm to 2µm) produced in the early stages of a fire. The threshold of response of alarm is regulated to obtain the value $m=0,2db/m\pm 0,03$ according to standard **EN54-7**.

OA05 includes a developed technology (**microprocessors, smd components**) which means precision and high reliability. A specific head detection fixed by a **single ceiling base**.

OA05 is dedicated to **interactive fire detection panels**.

The smoke detector **OA05** is designed to be installed under flat ceiling with heights ranging between **2,5 m and 12 m** and this, in healthy and more or less ventilated buildings.

The maximum supervised surface is **80m² by detector**; however it is preferable to refer to the local rules of installation recommended in particular when the characteristics of the installation differ **from those stated above**. **Eight levels of sensitivity** are available while programming the fire detection panel (from 0,1dB/m to 0,35 dB/m).



Main characteristics

- Photoelectric scattering (Tyndall effect)
- 1 remote alarm indicator output
- Lockable
- Standard EN54-7
- Cable section max 2,5mm²
- 8 levels sensitivity setting (0,1 dB/m to 0,35 dB/m)
- Base isolator (option)
- **Constant sensitivity** thanks to auto correction

Power supply specification

| | |
|-------------------------------|--|
| Main supply voltage | 12Vdc to 28 Vdc |
| Nominal main supply voltage | 24 Vdc |
| Quiescent current (24 Vdc) | 140µA without base isolator / 240µA with base isolator |
| Alarm current (24 Vdc) | 5mA ± 1mA |
| Fault current (24 Vdc) | 140µA |
| Remote alarm indicator output | Individual command: 5mA ± 1mA |

Mechanical characteristics

| | |
|-------------------------|---|
| Unit weight | 130g |
| Unit dimensions (in mm) | H:55 D:104 |
| IP index | IP 32 |
| Unit row material | ABS |
| Unit colour | White |
| Mounting mode | Base |
| Fixing | - distance between centres: 50mm to 60mm - under ceiling: 2 screws Ø 4 |

Climatic characteristics

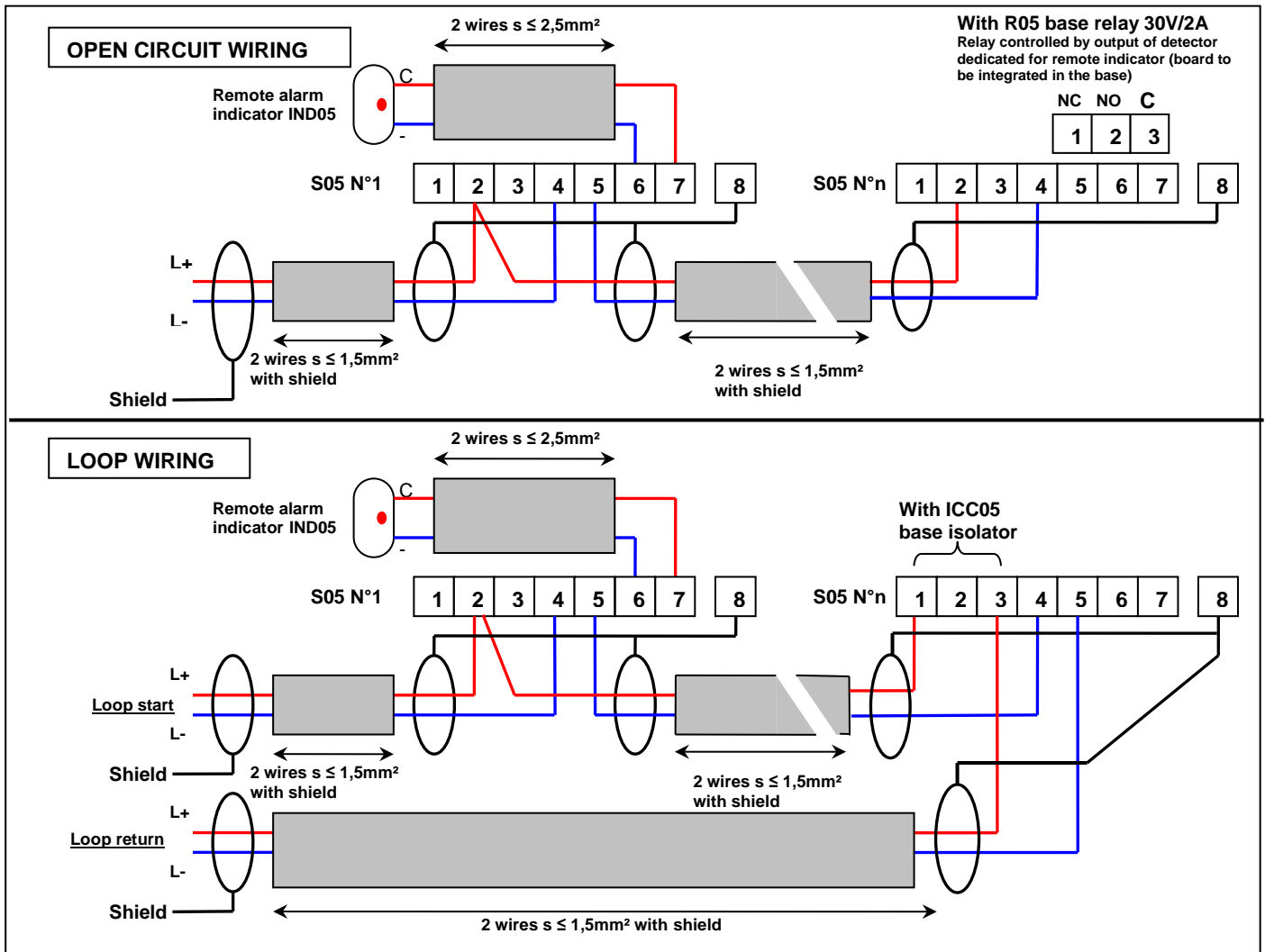
| | |
|-----------------------------|----------------|
| Operating temperature | -30°C to +60°C |
| Storage temperature | +10°C to +50°C |
| Operating relative humidity | ≤ 93% |
| Storage relative humidity | ≤ 85% |



OA05

Interactive optical smoke detector

CONNECTION



PROFILE VIEW



TOP VIEW



BASE S05



BASE WITH ICC05



IND05



REFERENCE

OA05
S05

DESCRIPTION

Interactive optical smoke detector
Base detector

ACCESSORIES

IND05 Remote alarm indicator
 IAA Remote alarm indicator, for more than one detector
 SOUND05 Base with internal sounder 95dB
 ICC05 Base isolator
 BRI Universal base with gland holes for 05 detectors range
 BRI/EM Waterproof universal base with gland holes for 05 detectors range

