



ETC05, ET4C05

Addressable input/output module

- **ETC05: Addressable input/output module**
- **ET4C05: Addressable 4 input/output module**
- **Certified EN54-17, EN54-18, CE according to CPD**

ETC05 is a control module with 1 input and 1 relay output, compatible with the SD3 Héphaïs range of panels. ETC05 can read alarms, faults and any other fire detection information by the means of specific input circuit **AND** can operate an external power supply source by the means of a commandable output.

ETC05 has an isolator integrated on its circuit avoiding the use of an external isolator on the loop.

ET4C05 is a combination of 4 x ETC05 in a single device. It makes available 4 inputs and 4 relays outputs programmable with the downloading software of the Héphaïs/Alpha range of panels. ET4C05 declares itself on the panel as 4 ETC05 (input/output module) and take successively 4 addresses on the panel.

Its use is similar to the ETC05 device.



Main characteristics

- Input/output module programmable
- **Isolator integrated**
- NO/NC monitoring for input
- Relay Output NO-NC 30V/1A
- Configuration as single input module by switch
- Information repetition related or not with fire detection
- Conform with EN54-17, EN54-18
- **CE certified according to 89/106/CEE**

Electrical specifications

	ETC05b	ET4C05b
Operating voltage	10V to 30V Nominal = 20Vdc	
Standby consumption	150 μ A with switch closed, 500 μ A with switch open	600 μ A with switch closed, 800 μ A with switch open
Alarm consumption	< 2mA (LED on)	
Start-up duration	<1s	
Energy reserve	>20s	
Relay output	\leq 30Vdc and \leq 2A (resistive charge) 30W thus 24V/1A max through relay 3 contacts type NO, NC, COM	
Line switch	ISmax = 1A commutation ICmax = 400mA permanently (switch closed) ILmax = 100 μ A (switch open)	
Ohmique loss	<400m Ω at 400mA switch close > 100K Ω open status	
Open switch voltage	9.5Vdc < U _{ligne} < 11Vdc	

Mechanical specifications

	ETC05b	ET4C05b
Weight	160g	320g
Size (H x L x D)	85 x 85 x 45	180 x 140 x 80
IP protection	IP55	
Color	Grey	

Temperature specifications

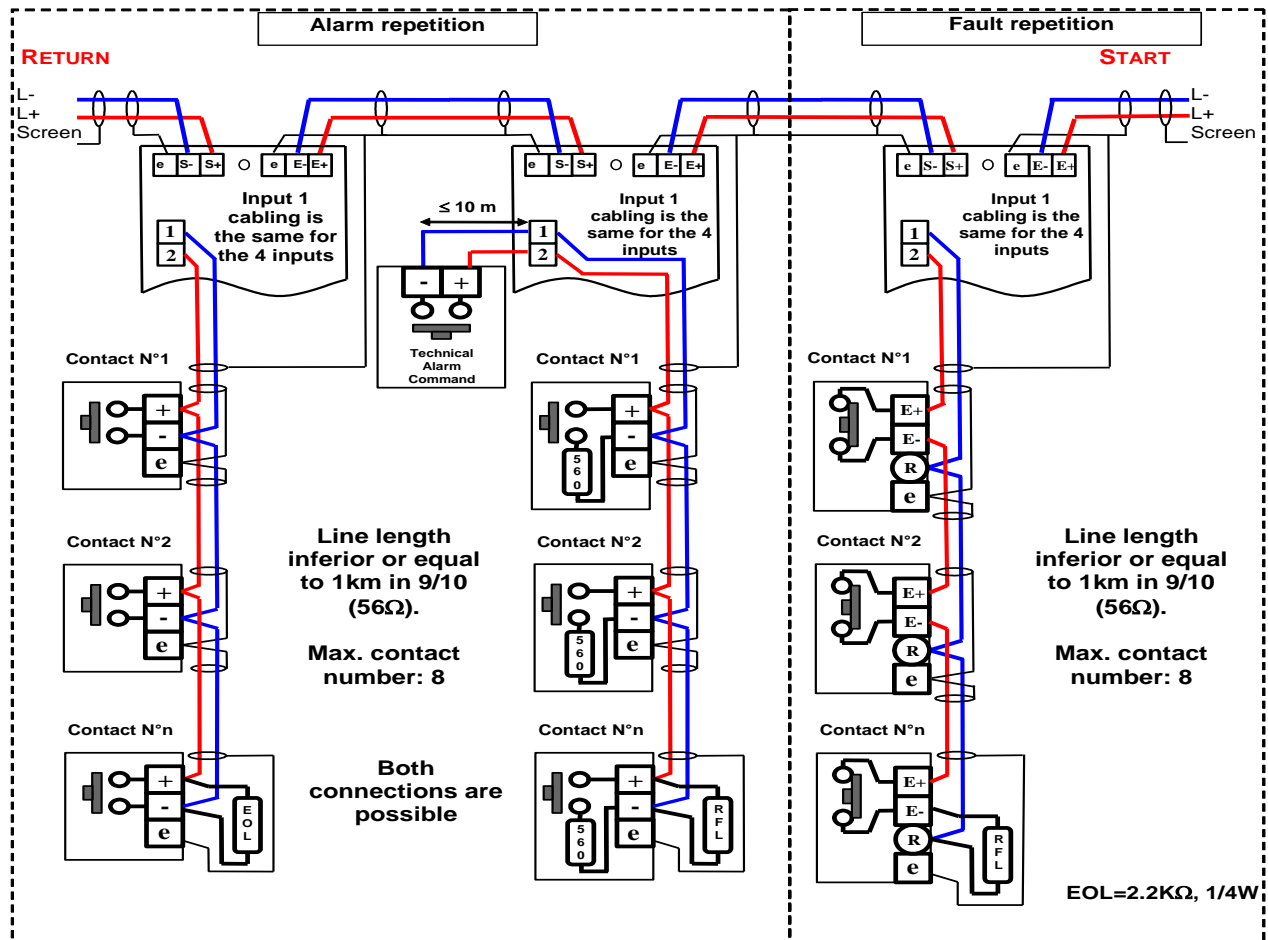
Operating temperature	-10°C to +60°C
Operation relative humidity	\leq 93% HR
Storage temperature	-10°C to +60°C
Storage relative humidity	\leq 93% HR



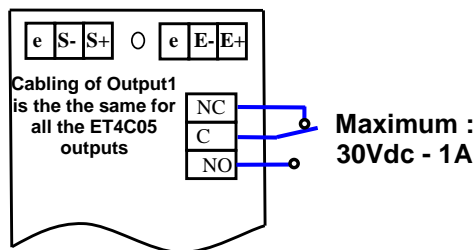
ETC05, ET4C05

Addressable input/output module

ETC05 Input connections



ETC05 Output connections



REFERENCE
ETC05-B
ET4C05-B

DESCRIPTION
Addressable input/output module
Addressable 4 input/output module

