



# EDL

## Addressable 2 monitored inputs +1 monitored output

- *Addressable 2 monitored inputs + 1 monitored output*
- *Certified EN54-17, EN54-18, CE according to CPD*

EDL is a monitored 2 inputs + 1 output module compatible with Héphaï's 1600 panel.

EDL can read alarms, faults and any other fire detection informations by the means of specific input circuit **AND** can operate an external power supply source by the means of a commandable output.

The second input of the device (FC: end switch) can be used to monitor specific fire detection security systems (ex: door locks). The choice of the monitoring and the function of the input is done by downloading on the Fire detection panel.



### Main characteristics

- 2 x Monitored inputs
- 1 **End switch** input
- 1 x 24V output
- 2 Connections external power supply
- Comply with the norm EN54-17, EN54-18
- CE certified according to CPD
- Embedded isolator

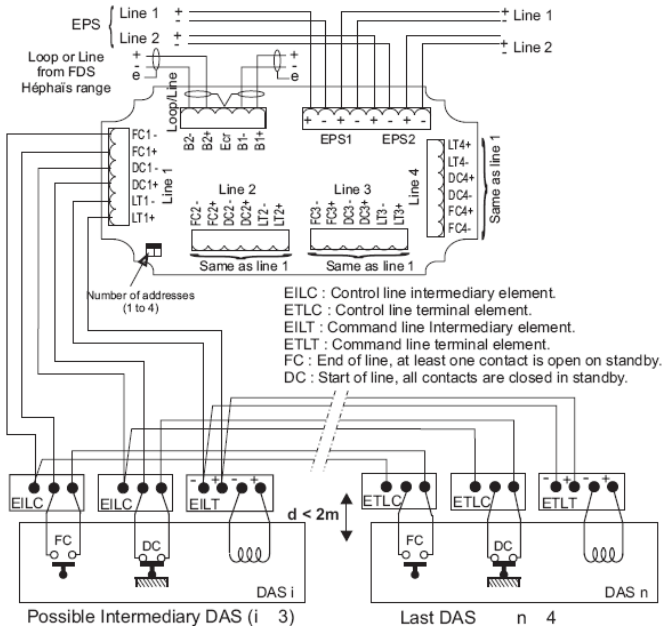
### General specifications

Operating voltage (loop voltage)	14 to 28 Vdc
Quiescent current consumption on the loop (24 V)	540 $\mu$ A
External Power supply voltage	14 to 60 Vdc
Quiescent current consumption on the External power supply	600 $\mu$ A
Max. Current on output line	0,6 A
Weight	800gr
Dimensions	185 x 240 x 90 mm (WxLxD)
IP rating	IP55
Material	PVC
Colour	Grey RAL7035
Operating temperature	-20°C to + 40°C
Storage temperature	+5°C to +55°C
Relative humidity	$\leq$ 93 % without condensation (operating) $\leq$ 85 % (storage)
Connections	Cable max. diameter 2,5mm <sup>2</sup>

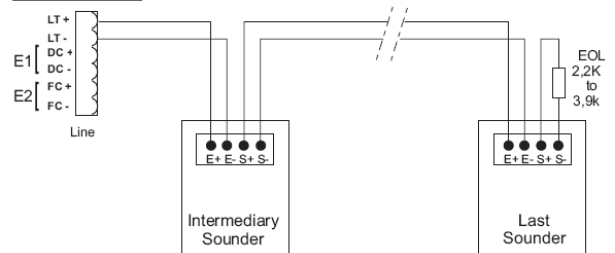
## Addressable 2 monitored inputs +1 monitored output

### INPUTS AND OUTPUT CONNECTION DIAGRAM

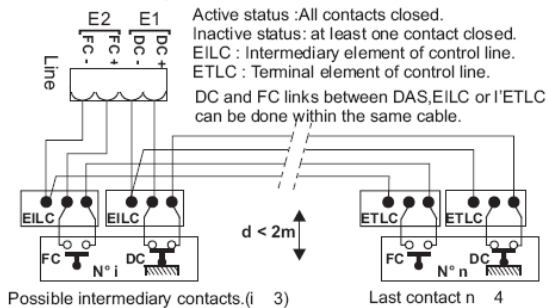
#### Monitored control lines serial mode



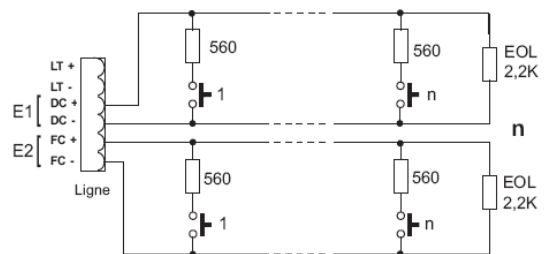
#### Sounder line



#### Monitored input serial mode.

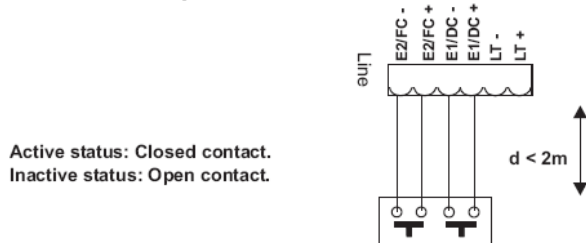


#### Monitored input parallel mode:

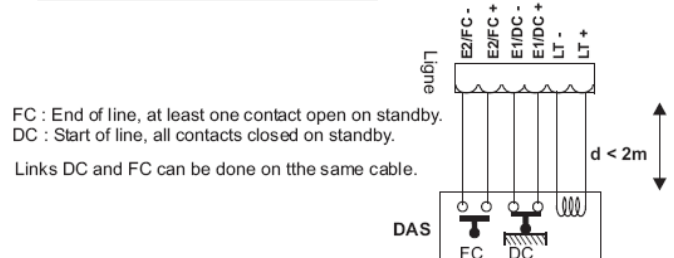


Active status: At least one contact is closed.  
 Inactive status: All the contacts are open.

#### Not monitored inputs



#### Command lines not monitored.



REFERENCE	DESCRIPTION
EDL	Addressable 2 monitored inputs + 1 monitored output

