



DLFB30 R EX

Short linear smoke beam detector ATEX version

- EN54-12
- CE 0722 Ex II 2 G Ex d IIC T6
- CE 0722 Ex II 2 D Ex td A21 IP66 T85°C

DLFB30 R EX is a reference for short beam detector ATEX version. With its **embedded laser pointer** and a unique **passive reflector**, the reference is ideal for installation on site where normal point smoke detectors cannot be used, the ATEX certification allows it installation in hazardous areas.

Available in relay version, the detector can be connected to any kind of panel.

Its technology allows a coverage area of **3 to 30m length** and up to 10m width.

The **embedded laser pointer** allows a simple installation and **auto-calibration** of the device using the programming tool, since the housing to maintain certification cannot be opened to perform manual calibration.



Main characteristics:

- Atex certification
- CE approved according to CPR
- 3m to 30m length coverage
- 10m wide coverage (5m on each side)
- Independent self-powered laser pointer
- Auto-calibration
- Industrial version, IP66

Power supply	
Main supply voltage	13 Vdc to 28 (Nom: 24 Vdc)
Quiescent current (24Vdc)	Peak of 0,22mA starting up, then <0,76mA max.
Alarm current (24Vdc)	0mA
Calibration mode	20mA
Mechanical	
	Industrial version
Unit dimensions (in mm)	L:160 H:160 D:140
IP rating	IP66
Maximum section of cables	1 x 1,5mm ²
Isolator	
Short-circuit isolator type	Isolator simple et « monitored»
Loop power voltage	V _{max} = 28 Vdc ; V _{nom} = 24 Vdc ; V _{min} = 13 Vdc
Current maximum	IC max = 350 mA ; IS max = 1 A ; IL max = 100 µA
Maximum Impedance	ZC max = 8 mΩ, closed switch
Open voltage of the ICC	VSO max = 7,6 V ; VSO min = 6,0 V
Re-connection voltage	VSC min = 6,0 V VSC max = 7,6 V
Optical	
Optical wavelength	940nm
Operating range	3m to 30m
Width operating range	5m on each side (10m total)
Max. angular misalignment optical block	±0,35°
Max. angular misalignment reflector	±5°
Max. angular movement of optical block	±1,8°
LED indicator visualization angle	180°
Fault threshold	92%



DLFB30 R EX

Short linear smoke beam detector ATEX version

COMPOSITION



Active part

Up to 30 m

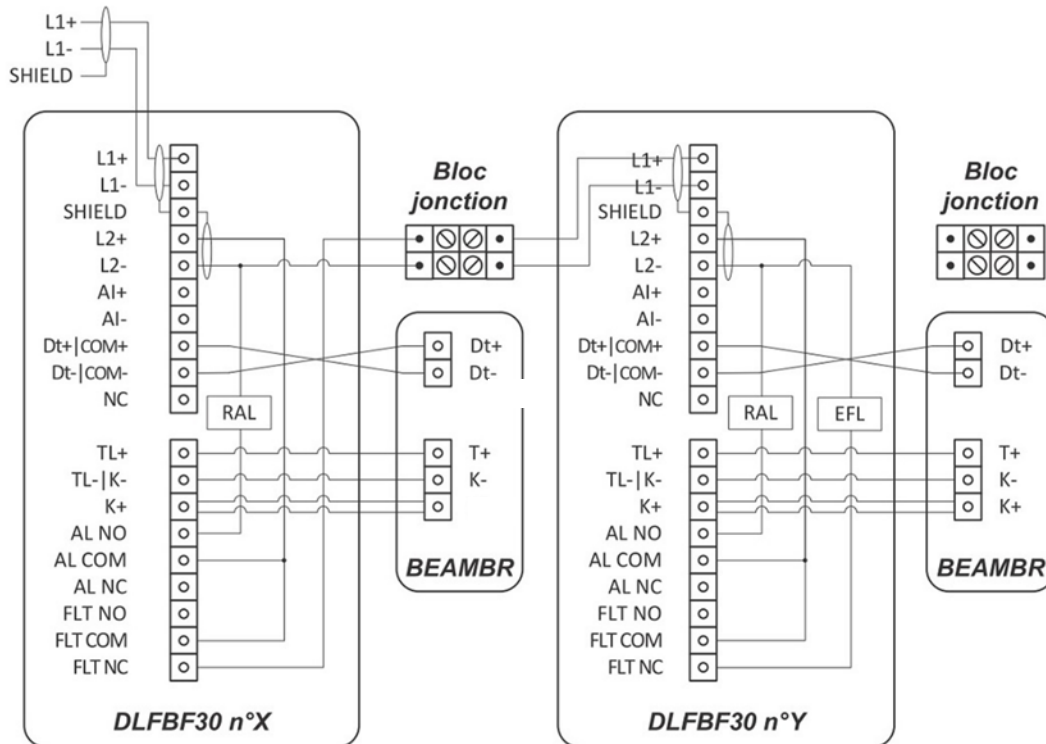


Reflector
20 x 20 cm



Control unit

Raccordement électrique de la version relais ; alimentation par ligne DI.
EFL est l'élément de fin de ligne, RAL est la résistance d'alarme
Electric connection of the relay version; Power supply by detection line
EFL is the end of line element; RAL is the alarm resistor.



REFERENCE
DLFB30 R EX
OPTIONS
DETTEL
BEAMBR

DESCRIPTION
EXPLOSION PROOF relay beam detector

Remote control with display and keypad for DLFB30
Remote box for beam, allows to remotely enable/disable the beam, connect Dettel tool and calibrate

