



ALPHA XL

Conventional fire detection control panel

- From 16 to 32 detection zones
- Standard EN54-2 / EN54-4 / LPCB

ALPHA XL, modular, compact and economic, is the adapted solution for small and medium installations. It is microprocessor controlled with SMD technology and with panel programming it is easy to use and install. With its **16 zones** in the basic version and its design, it is adapted for small and medium installations. Thanks to its optional modules, ALPHA XL can be extended to **24 or 32 detection zones** maximum (**1024 conventional points**).

Activation is via key switch or access code, which means you should always be able to work on the panel and the one man walk tests will help reduce the cost of maintaining the fire alarm system.

All inputs and outputs are fully programmable and there are options to have delays to the outputs.

As standard, all ALPHA XL panels provide four monitored sounder circuits, Fire & Fault VFCO relays, Fire, Fault, Reset & Disablement switched negative outputs, Class Change, Alert, Silence & Reset inputs.

A fully functional repeater panel is available via a plug in comms PCB.

ALPHA XL panels support a large range of conventional detectors including SD3, Apollo, Hochiki & Nittan.



Main features

- From 16 (416 points) to 32 (1024 points) conventional detection lines
- Compatibility with SD3, Apollo, Hochiki and Nittan detectors
- 32 detectors and/or MCP each line
- 4 Monitored sounders line
- Day/night mode
- Keyboard programmable ad access level 3
- Easy management
- Support till 8 panels in network

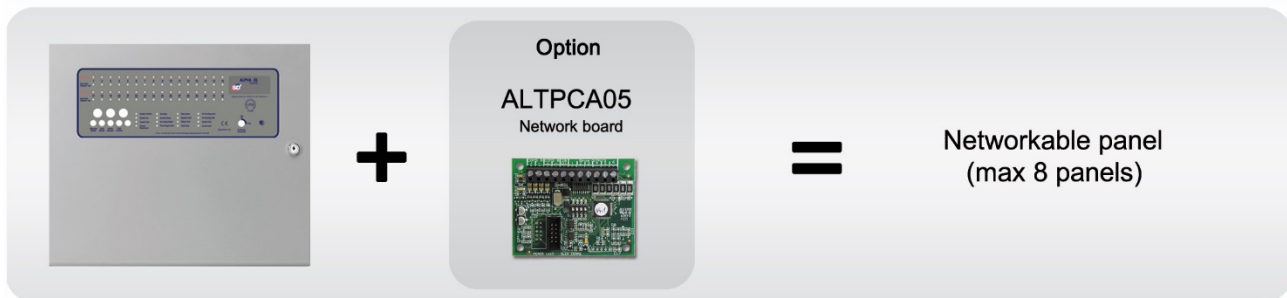
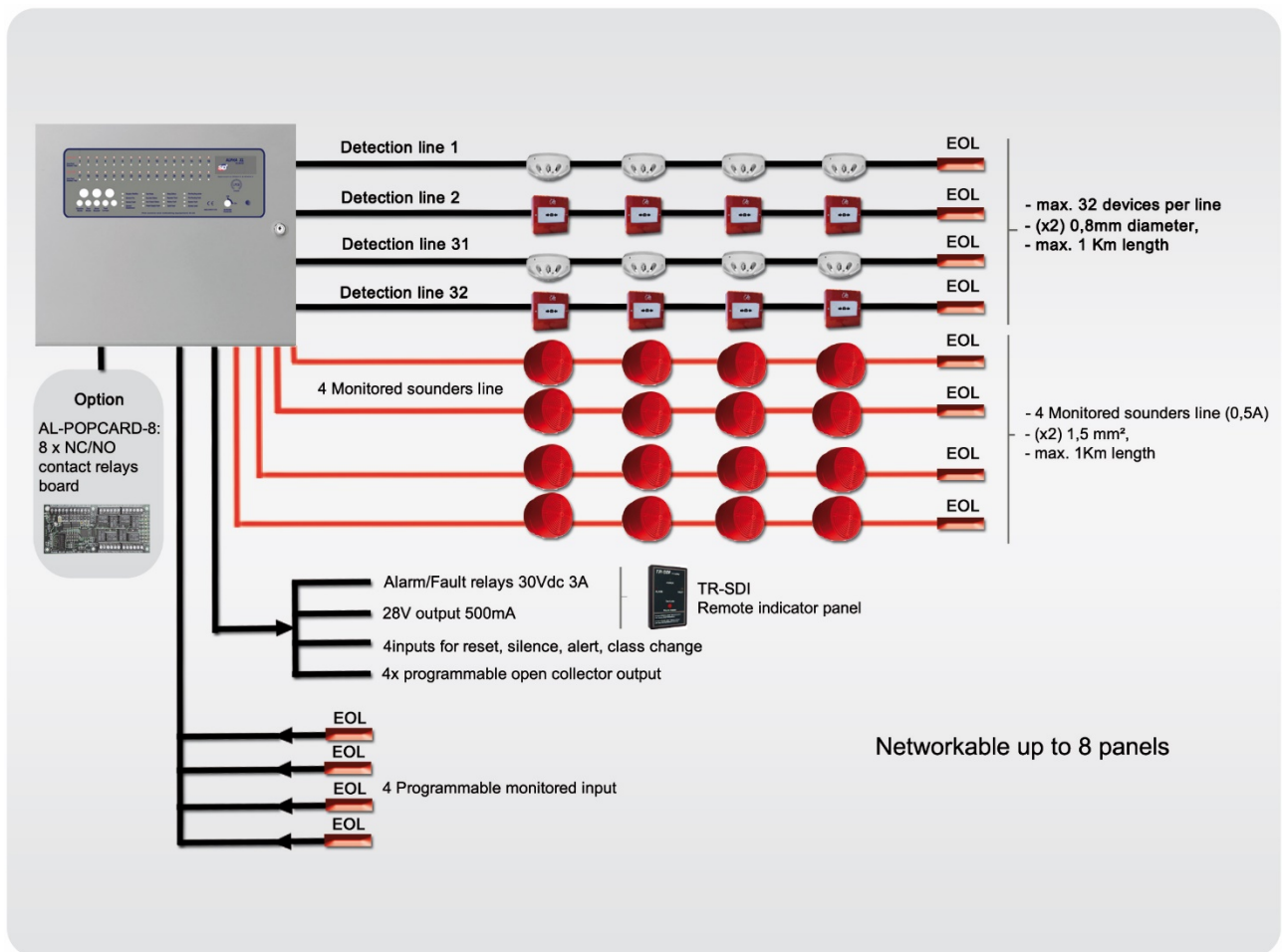
Electrical specification	
Mains supply voltage	230V ~ 50 Hz
Operating voltage	28Vdc
Wiring	From 0,5 mm ² (500m max) to 2,5 mm ² (2500m max)
Batteries	2 x 12V/18Ah
Maximum current supplied	5A
Mechanical characteristics	
Dimensions (mm) / weight (without batteries)	465x410x130 (h x w x d) / 5Kg
IP rating	30
Climatic characteristics	
Operating temperature	-5°C to 40°C
Inputs/outputs	
Base detection module: 16 detection lines (512 points)	
4 monitored programmable input	
4 monitored sounders line	28V/500mA
6 programmable outputs	24V/40mA
4 open collector outputs: alarm, disabled, fault, reset	28V/40mA
1 Alarm NC/NO & 1 Fault NC/NO relay contact	30V/3A





ALPHA XL

Conventional fire detection control panel



REFERENCE

ALPHA XL 16
ALPHA XL 24
ALPHA XL 32

DESCRIPTION

16 zones fire detection conventional panel
24 zones fire detection conventional panel
32 zones fire detection conventional panel

OPTIONS & ACCESSORIES

ALFMKXL32
ALTPCA05
ALPOPCARD-8
TR-SDI

Recessing bezel for ALPHA XL
Communication card for network
8 ways output relay card
Remote indicator panel to repeat general alarm and fault, local led test and silence buzzer

