

O105, OA05-W, DMA05-W, IND05-W

Wireless Range

- **OI05: Monitoring module.**
- **OA05-W: Wireless optical smoke detector.**
- **DMA05-W: Wireless manual call point.**

SD3 wireless detection range offer a basic wireless solution for specific installations of fire detection systems.

The wireless range is composed of a **monitoring module, OI05**, for the interface of the wireless protocol of detectors with the wired protocol of the Héphaïs 1600 panel. **Optical smoke detectors, OA05-W**, and **Manual call points, DMA05-W**.

With the same features of sensitivity and interactive mode as the range 05 detectors, Wireless solutions provides a **perfect solution for cable free installation** such as museums and classified sites, mobile rooms, for industry or for shows, hospital. Configuration of the wireless devices to Héphaïs 1600 is made through dedicated software TéléWireless.



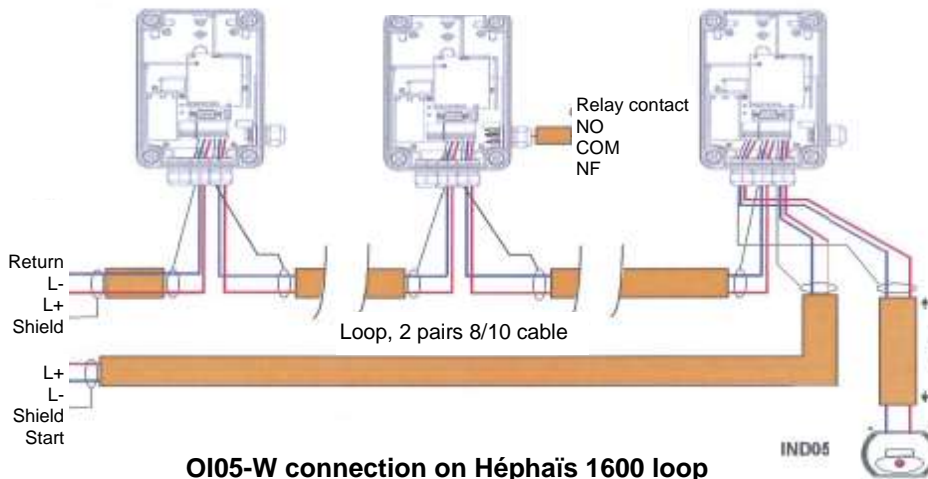
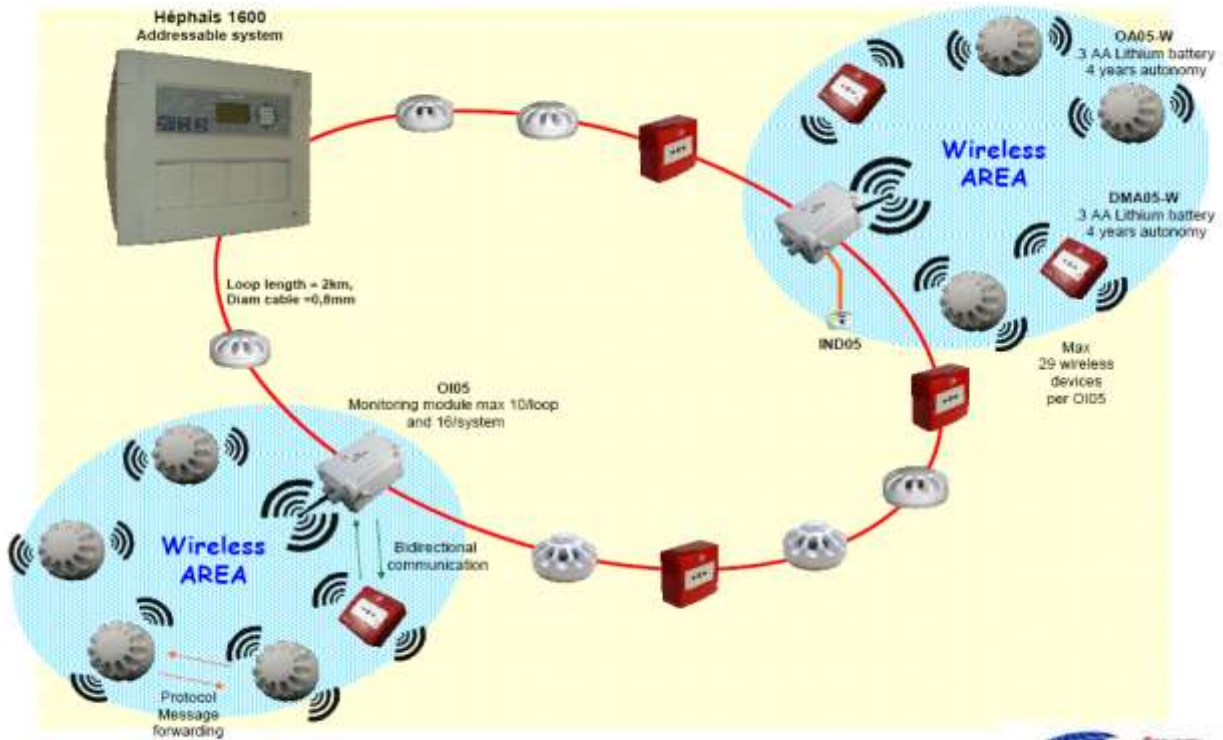
Main characteristics

- Optical detector and Manual call point available.
- Compatible with Héphaïs 1600 on loop or line.
- Up to 80 total addresses per loop.
- Up to 1000m area management on free space.
- 100m inside building.
- Protocol messages forwarding.
- Double antenna on each equipment

Power supply specification			
	OI05	OA05-W	DMA05-W
Main supply voltage Nominal	12V – 28V 24V	3,6V – 6V 4,5V	3,6V – 6V 4,5V
Current consumption at nominal voltage	Starting up: 14mA Standby: 10mA Alarm: 10mA Fault: 10mA	Standby: 100µA Alarm: 1,5 mA +/- 1mA Fault: 100µA Radio emission: 50mA	Standby: 70µA Alarm: 1,5mA +/- 1mA Fault: 70 µA Radio emission: 50mA
Autonomy	Powered by loop	4 years 3 batteries AA	4 years 3 batteries AA
Mechanical characteristics			
Unit weight	555g	245g	270g
Unit dimensions (in mm)	192x121x105	(Øxh)114x75	98x98x63
Unit row material	ABS grey	ABS white	ABS red
IP rating	64	32	32
Climatic characteristics			
Operating temperature	-10°C to +55°C		
Storage temperature	+10°C to +55°C		
Operating relative humidity	≤ 93% +/- 3% RH		
Storage relative humidity	≤ 85%		
Radio characteristics			
Frequency range	868 – 870 Mhz		
Channel width and number	25 KHz / 80		
Signal strength	5 dBm		
Sensitivity	-120 dBm		

Wireless Range

WIRELESS SYSTEM RANGE 05-W



OI05-W connection on Héphaïss 1600 loop

REFERENCE

OI05
OA05-W
DMA05-W
TeleWireless

DESCRIPTION

Monitoring module, can be connected on Héphaïss 1600 loop/line CE according to CPD
Wireless optical smoke detector, CE according to CPD
Wireless manual call point, CE according to CPD
Software programming tool for wireless solutions

