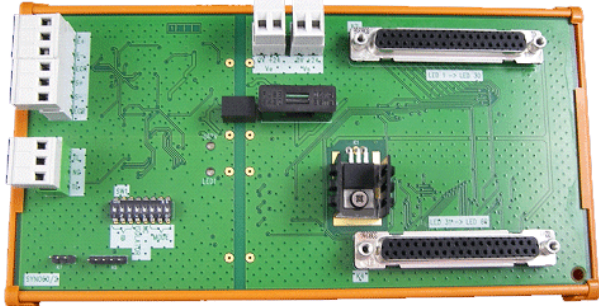




MimicB60

60 addressable outputs for Mimic panel leds

The MimicB60 board is an addressable synoptic system which can drive up to 60-LEDs.
The MimicB60 product is made of an electronic board mounted into a plastic socket compatible with OMEGA rail fixing.
The MimicB60 board is compatible with Héphaï's 1600 and Héphaï's 1600 NE. A maximum of 3 boards can be connected on a loop and each is declared by 60 addresses on the loop.



Main characteristics

- 60 addressable leds fully programmable
- Embedded isolator
- Rail DIN installation
- Led panels associated

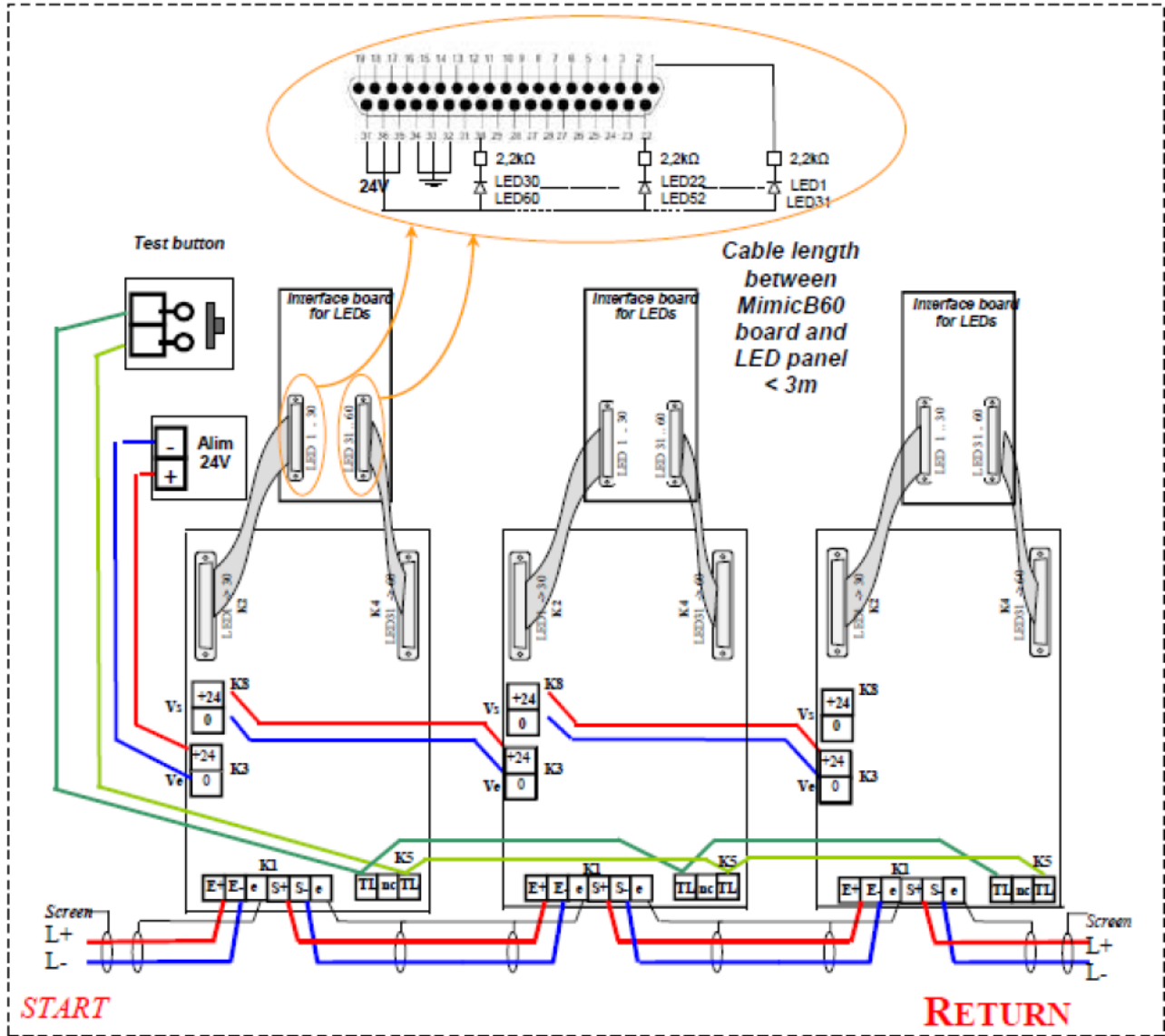
Electrical characteristics	
Communication bus voltage	Extreme: 12 to 28V Nominal: 24Vdc
Leds power supply	Extreme: 15 to 28V Nominal: 24Vdc
Standby consumption (under 24V)	24mA
Initialisation duration (switch on)	<1.0 sec
Energy reserve (in case of power failure)	< 4 sec
Leds output, power	17 W (60Leds) i.e 24V/12mA max per led
Leds output, type	Leds output in common anode
Short-circuit isolator	
Max. current	<ul style="list-style-type: none"> ● ISmax = 1.0 A in commutation ● ICmax = 400mA in permanence (closed isolator) ● ILmax = 100µA (open isolator)
Impedance (line switch)	< 400mΩ @ 400mA when closed > 100KΩ when opened
Switch opening voltage	9 Vdc < Uline < 10Vdc
Fuse	
Nominal current	1.0A
Dimensions in mm (l x w)	20 x 5
Mechanical characteristics	
Weight	320 g (with female connectors)
Dimension in mm (l x w x h)	206x109x60.5
Protection index	IP00 (no protection)
Climatic characteristics	
Operating mode Temperature	From -10°C to +60°C
Operating mode Humidity	≤ 93% HR
Storage Temperature	From -10°C to +60°C
Storage Humidity	≤ 93% HR





MimicB60

60 addressable outputs for Mimic panel leds



REFERENCE	DESCRIPTION
MIMICB60	DIN RAIL MOUNTING 60 ADDRESSABLE outputs dedicated for Mimic panel leds

