




DMCL05, DMCL05-J, DMCL05-B

Conventional manual call point. CE certified

- ***DMCL05: Conventional manual call point with LED***
- ***DMCL05-J: Conventional manual call point with led, yellow colour***
- ***DMCL05-B: Conventional manual call point with led, Blue colour***
- ***CE certified according to CPD***

DMCL05, DMCL05-J and DMCL05-B manual call points are devices of transmission of an **alarm status** (normative red colour), **extinguishing command** (normative yellow colour) and **extinguishing abort** (normative Blue) towards **conventional indicating panel**. This action is carried out by the operator through mechanical pressure on the window located in the front. Return to the normal status can be done only after **local resetting using a special key**.

Usually, connection is carried out with **shielded cable from 0,5mm² to 2,5mm²** for conventional systems following the indications screen printed on the printed circuit. Shield must be **protected** by an insulator tape in



Main characteristics

- CE certified according to CPD
- Conform with the norm EN54-11
- Key for reset
- Separate key for test
- No break glass
- Red colour for Alarm status
- Yellow color for extinguishing command
- Blue colour for Extinguishing abort

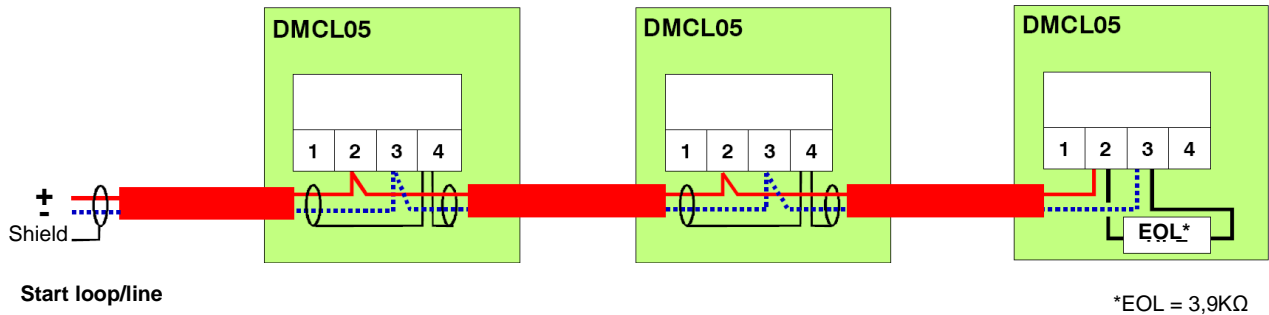
Power supply specification	
Main supply voltage	13V to 30Vdc
Nominal main supply voltage	20Vdc
Quiescent current	0 µA
Alarm current	35mA @ 24Vdc
Mechanical characteristics	
Unit weight	140g
Unit dimensions (in mm)	99 x 98 x 49
Unit row material	ABS
Unit colour	Red
Protection class	IP33
Climatic characteristics	
Operating temperature	-10°C to +60°C
Storage temperature	+10°C to +50°C
Operating relative humidity	≤ 93%
Storage relative humidity	≤ 85%



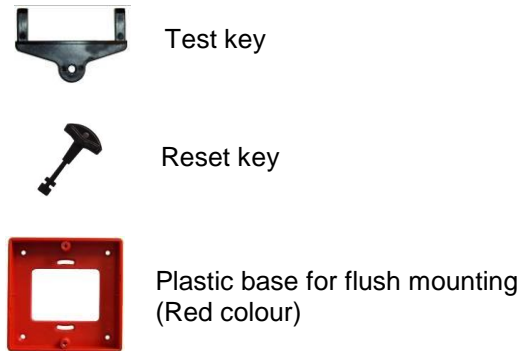
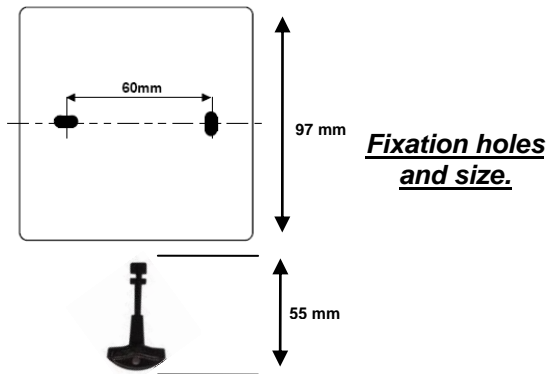
DMCL05, DMCL05-J, DMCL05-B

Conventional manual call point. CE certified

Connection diagram



- 1/ All cables shall be protected by cover.
- 2/ Cables should be exposed of at least 8mm.
- 3/ End of line resistor is provided with FDS panel.



STS 6535



WATERPROOF IP65 HOUSING BOX including conventional manual call point with reset.

REFERENCE

DMCL05
DMCL05-J
DMCL05-B
STS6535

ACCESSORIES

PEDM
VPDM
KCTDM
CTDM

DESCRIPTION

Conventional manual call point resettable with led, EN54-11, CE certified according to CPD
 Conventional manual call point resettable with led, EN54-11, CE certified according to CPD Yellow colour
 Conventional manual call point resettable with led, EN54-11, CE certified according to CPD Blue colour
 Waterproof IP65 housing box for conventional manual call point with reset (provided without MCP)

Plastic base for flush mounting MCP, double action
 Transparent lift-up protective cover for MCP, double action
 Kit of 10 reset keys for MCP
 Test Key

