



DFD2000

Conventional visual flash

Certified EN54-23 CPR

DFD2000 is a conventional visual flash of fire alarm. Its round shape allows a wall or ceiling installation. It is also possible to flush mount it depending on the base which is associated. Thanks to its technology, you can cover an area of **8,4 mt of diameter** and up to 3,3 mt height. The device can be connected directly on the sounder line of a conventional panel or externally powered (commanded).



Main characteristics

- 3,3 mt height coverage
- 8,4 mt wide coverage
- Flash Red colour
- IP21C
- Flush mounting (option)
- Base for 2,5 mm wire

| Power supply specification | |
|--------------------------------------|--|
| Main supply voltage | 16Vdc to 26Vdc |
| Quiescent current (24Vdc) | <5mA max. |
| Alarm current (24Vdc) | <40mA |
| Frequency/Pulse duration | 0,6Hz 170ms |
| Color of the flash | Red |
| Mechanical characteristics | |
| Connection | Base 2,5 mm |
| Unit dimensions (in mm) | H:64 D:109 |
| IP rating | IP21C |
| Maximum section of cables | 1 x 2,5mm ² |
| Material | ABS 5VB/ red color |
| Environmental characteristics | |
| Operating environment | From -10°C to +55°C with ≤ 90% non-condensing humidity |
| Storage environment | From -10°C to +55°C with ≤ 85% non-condensing humidity |
| Isolator characteristics | |
| Vnom | 22V |
| Vmin | 16V |
| Vmax | 26V |
| ICmax | 400mA |
| ISmax | 1° |
| ILmax | 100uA |
| ZCmax | 400mΩ |
| VSOmax | 10V |
| VSOmin | 4V |

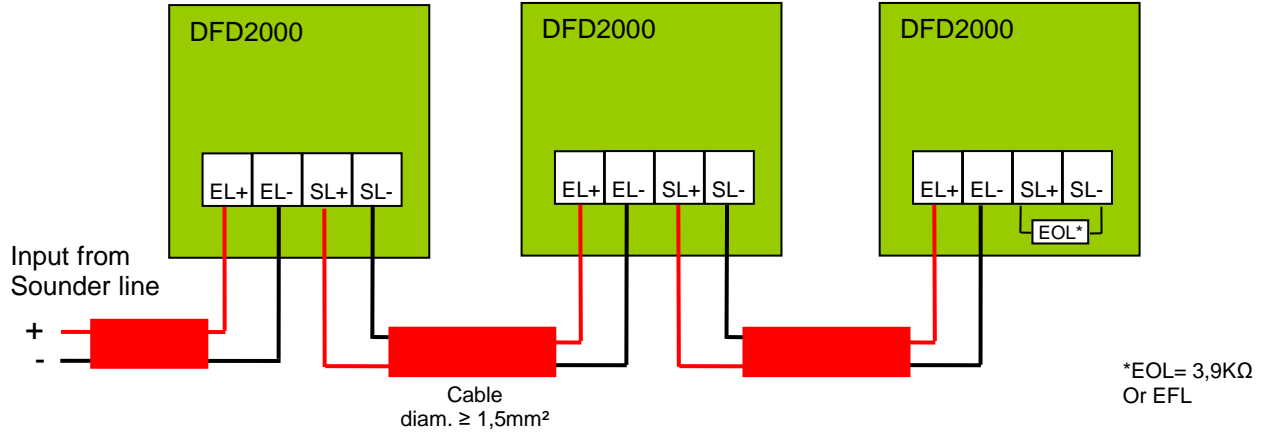




BTG05

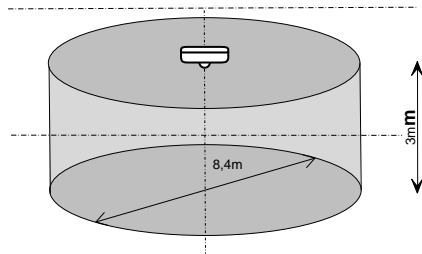
Air duct detector housing

Connection

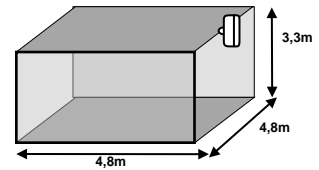
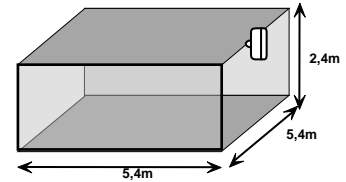


Coverage area

DFDA2000-R



Ceiling installation
Maximum height of the device: 3m



Wall installation

| <u>REFERENCE</u> | <u>DESCRIPTION</u> |
|------------------|--------------------------------------|
| DFD2000-R1-RR | Conventional LED flash for diffusion |

| <u>OPTIONS</u> | |
|----------------|-----------------------------|
| BASE 1,5 | Base for DFD2000, socle 1,5 |

