




# DMCL05, DMCL05-J, DMCL05-B

## Conventional call point

- **DMCL05: Conventional manual call point with LED**
- **DMCL05-J: Conventional manual call point with led, yellow colour**
- **DMCL05-B: Conventional manual call point with led, Blue colour**
- **CE certified according to CPD**

**DMCL05, DMCL05-J and DMCL05-B** manual call points are devices of transmission of an **alarm status** (normative red colour), **extinguishing command** (normative yellow colour) and **extinguishing abort** (normative blue colour) towards **conventional indicating panel**. This action is carried out by the operator through mechanical pressure on the window located in the front. Return to the normal status can be done only after **local resetting using a special key**.

Usually, connection is carried out with **shielded cable from 0,5mm<sup>2</sup> to 2,5mm<sup>2</sup>** for conventional systems following the indications screen printed on the printed circuit. Shield must be **protected** by an insulator tape in order to avoid any short-circuit.



**Main characteristics**

- **CE certified according to CPD**
- **Conform with the norm EN54-11**
- **Key for reset**
- **Separate key for test**
- **No break glass**
- **Red colour for Alarm status**
- **Yellow colour for extinguishing command**
- **Blue colour for Extinguishing abort**

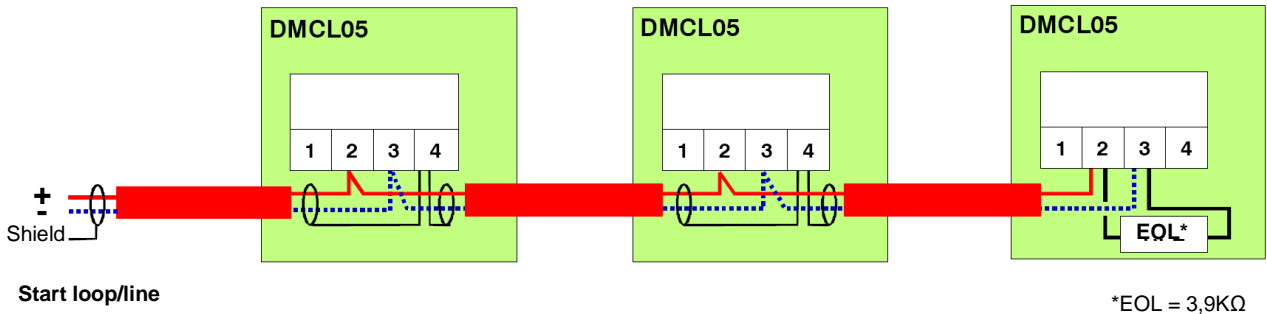
<b>Power supply specification</b>	
Main supply voltage	13V to 30Vdc
Nominal main supply voltage	20Vdc
Quiescent current	0 µA
Alarm current	35mA @ 24Vdc
<b>Mechanical characteristics</b>	
Unit weight	140g
Unit dimensions (in mm)	99 x 98 x 49
Unit row material	ABS
Unit colour	Red
Protection class	IP33
<b>Climatic characteristics</b>	
Operating temperature	-10°C to +60°C
Storage temperature	+10°C to +50°C
Operating relative humidity	≤ 93%
Storage relative humidity	≤ 85%



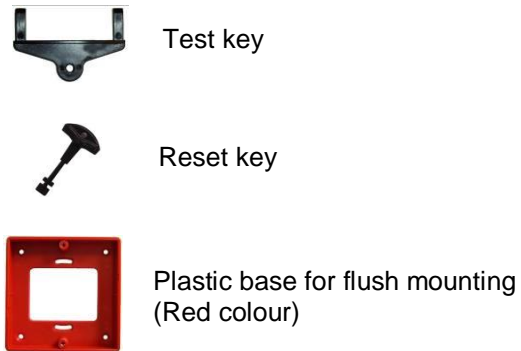
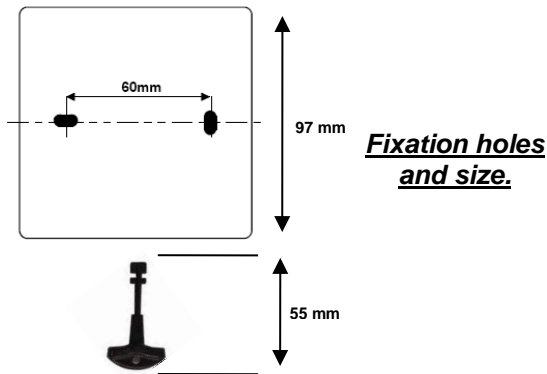
# DMCL05, DMCL05-J, DMCL05-B

## Conventional call point

### Connection diagram



- 1/ All cables shall be protected by cover.
- 2/ Cables should be exposed of at least 8mm.
- 3/ End of line resistor is provided with FDS panel.



STS 6535



**WATERPROOF IP65 HOUSING BOX including conventional manual call point with reset.**

### REFERENCE

DMCL05  
DMCL05-J  
DMCL05-B

STS6535

### ACCESSORIES

PEDM  
VPDM  
KCTDM  
CTDM

### DESCRIPTION

Conventional manual call point resettable with led, EN54-11, CE certified according to CPD  
Conventional manual call point resettable with led, EN54-11, CE certified according to CPD Yellow colour  
Conventional manual call point resettable with led, EN54-11, CE certified according to CPD Blue colour  
Waterproof IP65 housing box for conventional manual call point with reset (provided without MCP)

Plastic base for flush mounting MCP, double action  
Transparent lift-up protective cover for MCP, double action  
Kit of 10 reset keys for MCP  
Test Key

